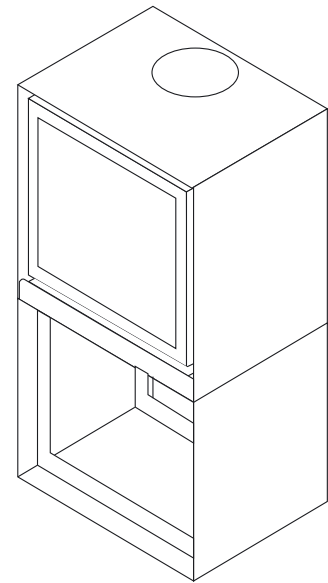


## 16/58-H | The stove

stuv

appearance	compact and subtle design
ergonomics	accessibility to all mechanisms
high efficiency	
economical	low wood consumption
low pollutant levels	low emission of CO and fine particles
air-tightness	++
for traditional and energy-efficient homes	✓
integrated log holder	✓



## TECHNICAL SPECIFICATIONS

## GENERAL

TYPE OF SYSTEM	stove
MATERIALS	steel + vermiculite
COLOUR	Stuv grey
LOADING	manual
FUEL	wood
POSITION OF LOGS	horizontal
LENGTH OF LOGS	40 cm

## WEIGHT / DIMENSIONS

WEIGHT	136 kg
Ø OF SMOKE DUCT	180 mm
HOT-AIR OUTLET	front
Ø OUTSIDE AIR INLET	63 mm

## AIR

DIRECT OUTSIDE INLET	✓
CONTROL OF PRIMARY AIR	✓
CONTROL OF SECONDARY AIR	✓
POST-COMBUSTION	✓
AIR-TIGHTNESS	++
OPERATION WITHOUT FAN	✓
OVERHEATING INDICATOR	✗

## PERFORMANCE

OUTPUT	7 kW
USAGE RANGE	5-8 kW
EFFICIENCY	78%
CO EMISSIONS	0.09%
FINE PARTICLE EMISSIONS	11 mg/Nm <sup>3</sup>
RANGE OF WOOD CONSUMPTION	1.4 - 2.3 kg/h
MINIMUM DRAW	12 Pa
SMOKE MASS FLOW	7 g/s
AVERAGE SMOKE TEMPERATURE	283 °C
CONSUMPTION OF AIR FOR COMBUSTION	18.6 m <sup>3</sup> /h
ENERGY EFFICIENCY INDEX (EEI)	104
ENERGY EFFICIENCY CLASS	A

## MINIMUM SAFETY DISTANCE FROM ADJACENT COMBUSTIBLE MATERIALS

BACK FACE	35 cm
SIDE FACE	25 cm
UPPER FACE	-
INSIDE FACE	0 cm

## ACCESSORIES / EQUIPMENT

ACCUMULATION	✗
CUPBOARD	✗
BARBECUE	✗
ASHTRAY	✗
CONVECTION	✓
FAÇADE	✗
OPEN FIRE	✗
MOBILOBOX	○
GROUND PLATE	○
READY-TO-FIT	✗
LOG RACK	○
ROTARY FUNCTION	✗
BASE	✗
FAN	✗
RETRACTABLE GLASS	✗

## LEGEND

✓	STANDARD
✗	UNAVAILABLE
○	OPTIONAL

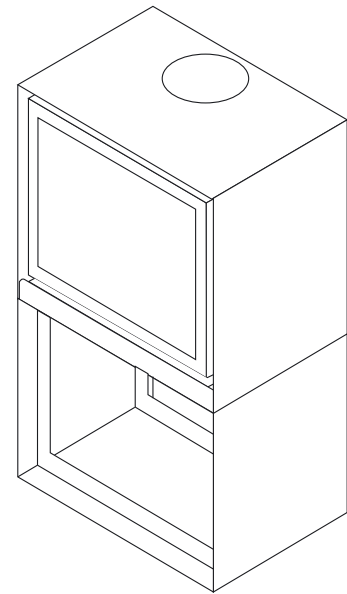
according to:  
 - OPair (CH)  
 - BE Phase 3  
 - BImSchV2 (DE)  
 - ECODESIGN 2022



## 16/68-H | The stove

stuv

appearance	compact and subtle design
ergonomics	accessibility to all mechanisms
high efficiency	
economical	low wood consumption
low pollutant levels	low emission of CO and fine particles
air-tightness	++
for traditional and energy-efficient homes	✓
integrated log holder	✓



## TECHNICAL SPECIFICATIONS

## GENERAL

TYPE OF SYSTEM	stove
MATERIALS	steel + vermiculite
COLOUR	Stuv grey
LOADING	manual
FUEL	wood
POSITION OF LOGS	horizontal
LENGTH OF LOGS	50 cm

## WEIGHT / DIMENSIONS

WEIGHT	147 kg
Ø OF SMOKE DUCT	180 mm
HOT-AIR OUTLET	front
Ø OUTSIDE AIR INLET	63 mm

## AIR

DIRECT OUTSIDE INLET	✓
CONTROL OF PRIMARY AIR	✓
CONTROL OF SECONDARY AIR	✓
POST-COMBUSTION	✓
AIR-TIGHTNESS	++
OPERATION WITHOUT FAN	✓
OVERHEATING INDICATOR	✗

## PERFORMANCE

OUTPUT	7.5 kW
USAGE RANGE	5-9 kW
EFFICIENCY	77%
CO EMISSIONS	0.10%
FINE PARTICLE EMISSIONS	19 mg/Nm <sup>3</sup>
RANGE OF WOOD CONSUMPTION	1.5 - 2.6 kg/h
MINIMUM DRAW	12 Pa
SMOKE MASS FLOW	7.9 g/s
AVERAGE SMOKE TEMPERATURE	301 °C
CONSUMPTION OF AIR FOR COMBUSTION	20.8 m <sup>3</sup> /h
ENERGY EFFICIENCY INDEX (EEI)	103
ENERGY EFFICIENCY CLASS	A

## MINIMUM SAFETY DISTANCE FROM ADJACENT COMBUSTIBLE MATERIALS

BACK FACE	30 cm
SIDE FACE	15 cm
UPPER FACE	-
INSIDE FACE	0 cm

## ACCESSORIES / EQUIPMENT

ACCUMULATION	✗
CUPBOARD	✗
BARBECUE	✗
ASHTRAY	✗
CONVECTION	✓
FAÇADE	✗
OPEN FIRE	✗
MOBILOBOX	○
GROUND PLATE	○
READY-TO-FIT	✗
LOG RACK	○
ROTARY FUNCTION	✗
BASE	✗
FAN	✗
RETRACTABLE GLASS	✗

## LEGEND

✓	STANDARD
✗	UNAVAILABLE
○	OPTIONAL

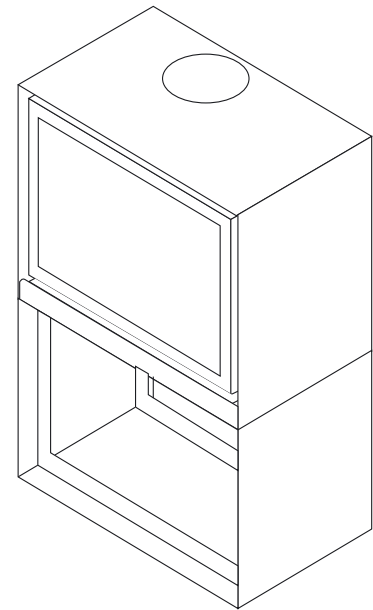
according to:  
 - OPair (CH)  
 - BE Phase 3  
 - BImSchV2 (DE)  
 - ECODESIGN 2022



## 16/78-H | The stove

stuv

appearance	compact and subtle design
ergonomics	accessibility to all mechanisms
high efficiency	
economical	low wood consumption
low pollutant levels	low emission of CO and fine particles
air-tightness	++
for traditional and energy-efficient homes	✓
integrated log holder	✓



## TECHNICAL SPECIFICATIONS

## GENERAL

TYPE OF SYSTEM	stove
MATERIALS	steel + vermiculite
COLOUR	Stuv grey
LOADING	manual
FUEL	wood
POSITION OF LOGS	horizontal
LENGTH OF LOGS	60 cm

## WEIGHT / DIMENSIONS

WEIGHT	158 kg
Ø OF SMOKE DUCT	180 mm
HOT-AIR OUTLET	front
Ø OUTSIDE AIR INLET	63 mm

## PERFORMANCE

OUTPUT	8 kW
USAGE RANGE	6-10 kW
EFFICIENCY	75%
CO EMISSIONS	0,09%
FINE PARTICLE EMISSIONS	13 mg/Nm <sup>3</sup>
RANGE OF WOOD CONSUMPTION	1.8 - 3.0 kg/h
MINIMUM DRAW	12 Pa
SMOKE MASS FLOW	8.8 g/s
AVERAGE SMOKE TEMPERATURE	318 °C
CONSUMPTION OF AIR FOR COMBUSTION	23,5 m <sup>3</sup> /h
ENERGY EFFICIENCY INDEX (EEI)	100
ENERGY EFFICIENCY CLASS	A

## ACCESSORIES / EQUIPMENT

ACCUMULATION	X
CUPBOARD	X
BARBECUE	X
ASHTRAY	X
CONVECTION	✓
FAÇADE	X
OPEN FIRE	X
MOBILOBOX	○
GROUND PLATE	○
READY-TO-FIT	X
LOG RACK	○
ROTARY FUNCTION	X
BASE	X
FAN	X
RETRACTABLE GLASS	X

## AIR

DIRECT OUTSIDE INLET	✓
CONTROL OF PRIMARY AIR	✓
CONTROL OF SECONDARY AIR	✓
POST-COMBUSTION	✓
AIR-TIGHTNESS	++
OPERATION WITHOUT FAN	✓
OVERHEATING INDICATOR	X

## MINIMUM SAFETY DISTANCE FROM ADJACENT COMBUSTIBLE MATERIALS

BACK FACE	30 cm
SIDE FACE	15 cm
UPPER FACE	-
INSIDE FACE	0 cm

## LEGEND

✓	STANDARD
X	UNAVAILABLE
○	OPTIONAL

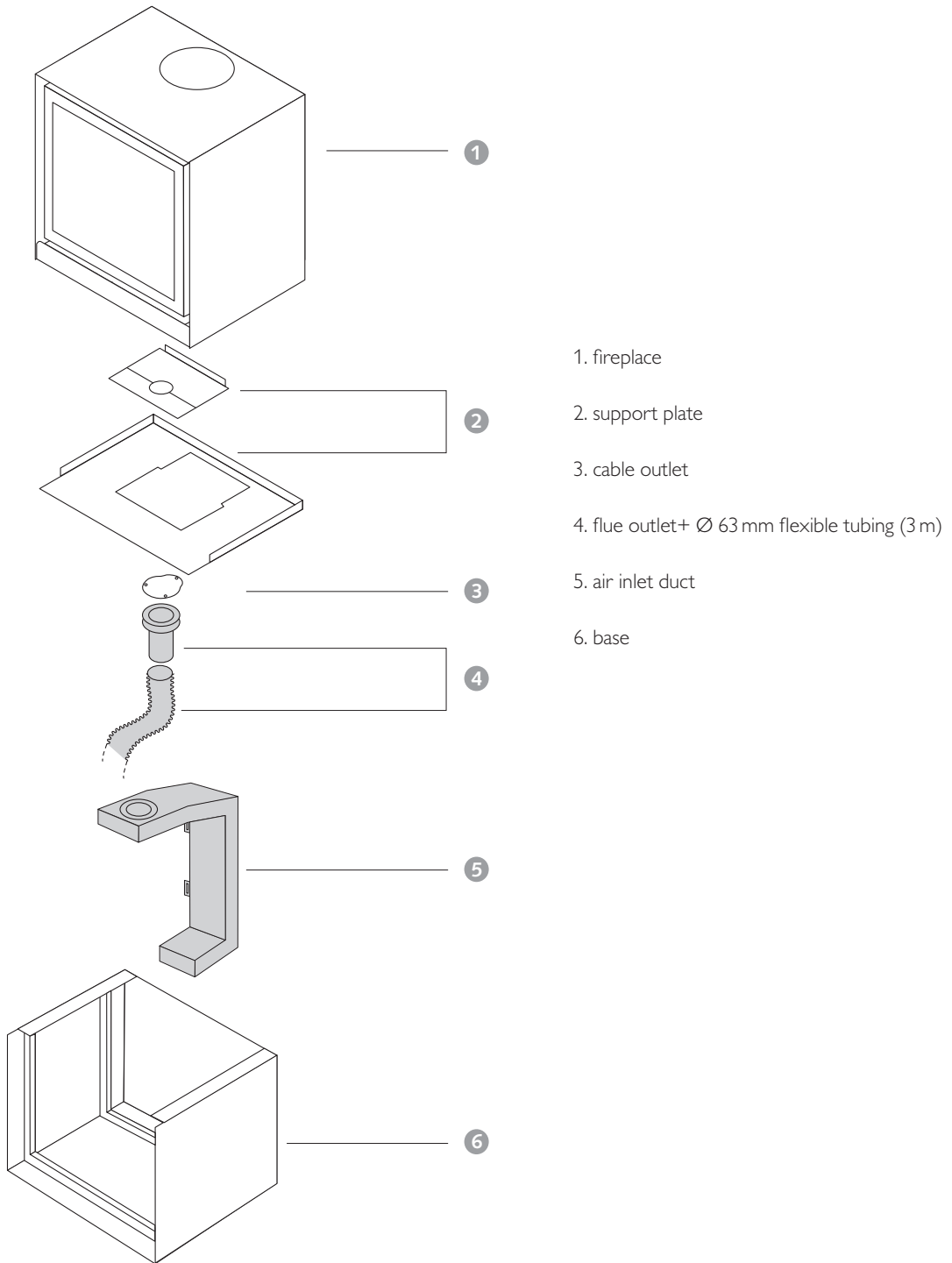
according to:  
 - OPair (CH)  
 - BE Phase 3  
 - BImSchV2 (DE)  
 - ECODESIGN 2022



# 16-H | The stove



## THE BASIC STOVE AND ITS OPTIONAL FEATURES

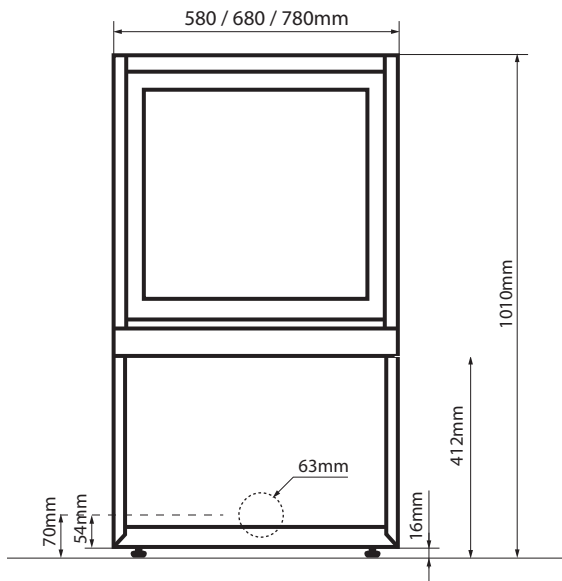


# 16-H | The stove

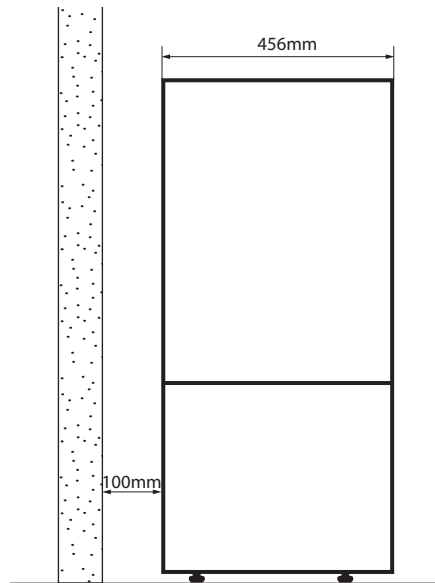


## DIMENSIONS OF THE STOVE

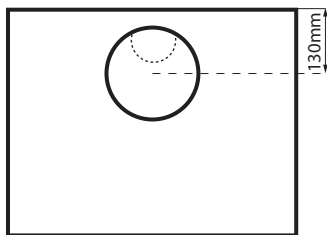
VIEW FROM FRONT



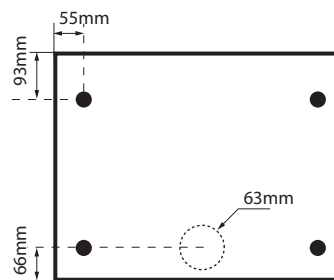
VIEW OF PROFILE



VIEW FROM ABOVE



VIEW FROM BELOW



## ACCESSORY

AIR INLET DUCT KIT

